



THDC India Ltd.

International Conference on HYDROPOWER AND DAMS DEVELOPMENT FOR WATER AND ENERGY SECURITY – UNDER CHANGING CLIMATE



Central Board of
Irrigation & Power



Indian National Committee
on Large Dams

INITIAL PLAN, CHALLENGES AND DESIGN SOLUTION FOR COFFER DAM OF PUNATSANGCHHU-I H.E. PROJECT BHUTAN



Authors: Vivek Tripathi, Amit Gautam,
Ashutosh Anand & Ashok Jangid



THDC India Ltd.

International Conference on HYDROPOWER AND DAMS DEVELOPMENT FOR WATER AND ENERGY SECURITY – UNDER CHANGING CLIMATE

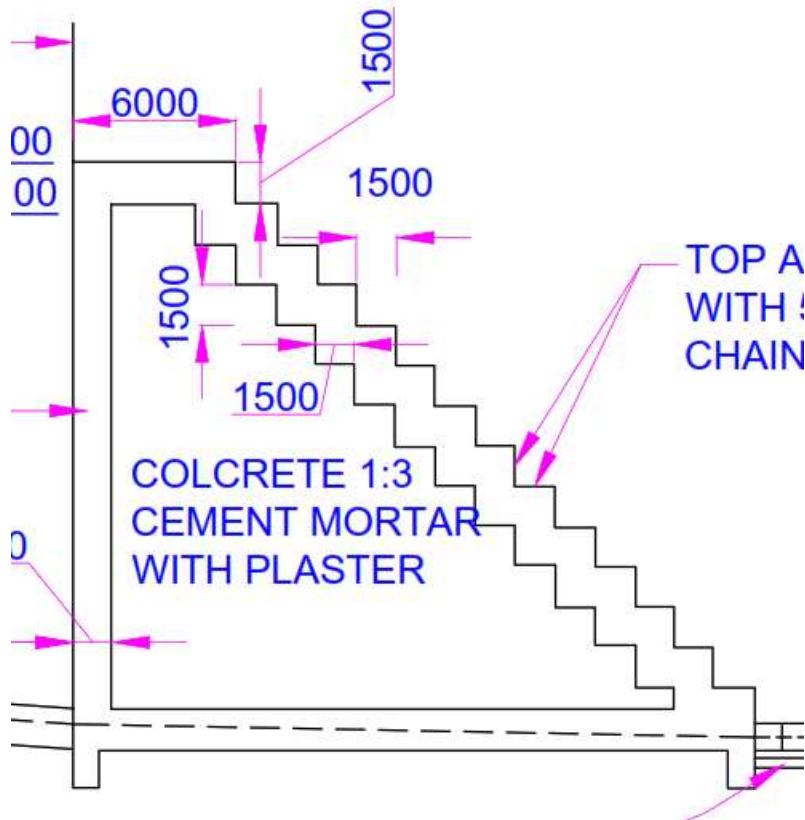


Central Board of
Irrigation & Power



Indian National Committee
on Large Dams

Initial Features of Diversion Arrangement



Height: 21 m

Length: 124.72m

Type: Colcrete

Location: Across the river Punatsangchhu at ± 420 m upstream of main dam axis

Purpose: To facilitate the excavation of main dam.

Diversion Tunnel: 10m Diameter, 2724m combined length



THDC India Ltd.

International Conference on HYDROPOWER AND DAMS DEVELOPMENT FOR WATER AND ENERGY SECURITY – UNDER CHANGING CLIMATE

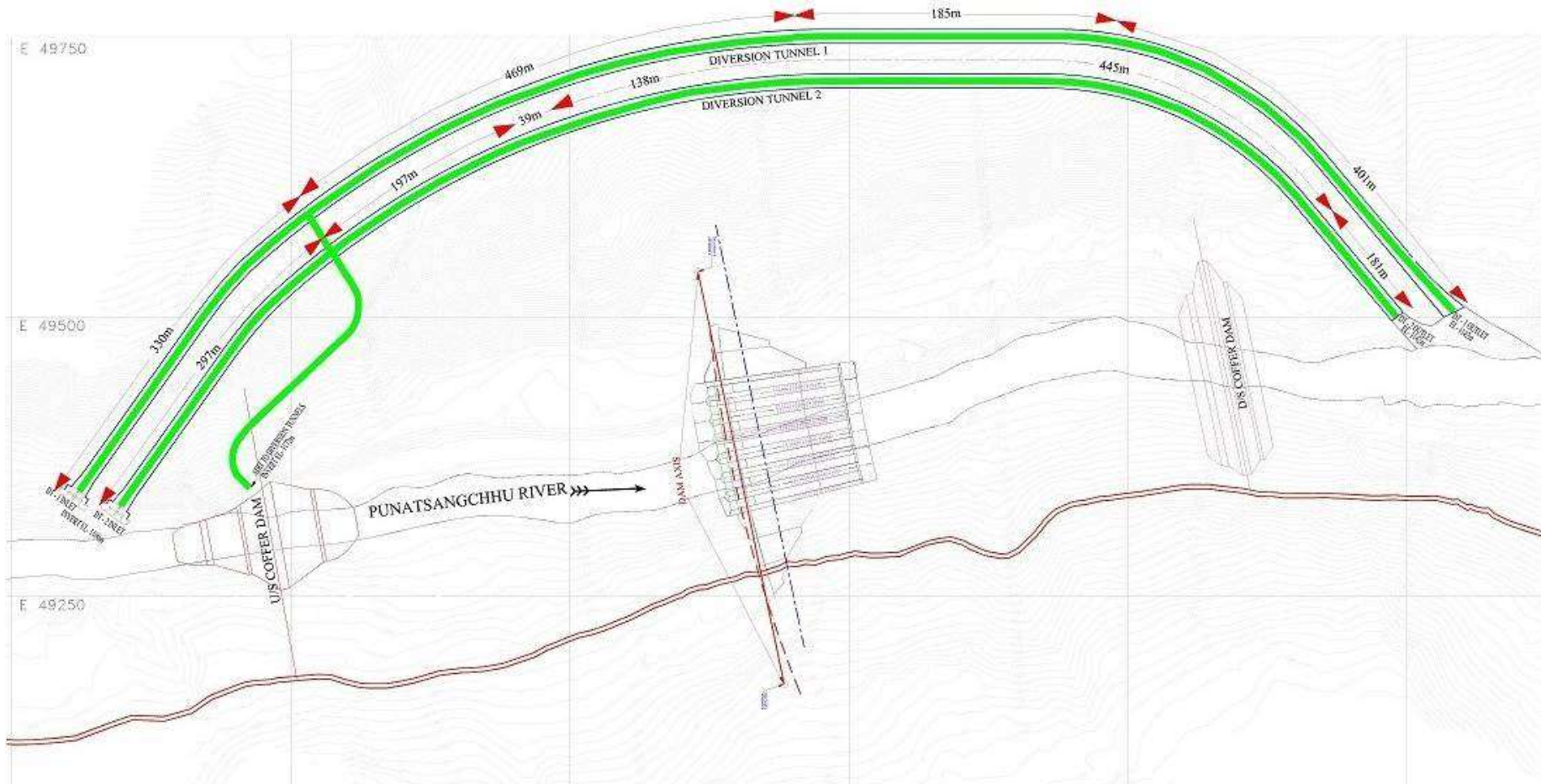


Central Board of
Irrigation & Power



Indian National Committee
on Large Dams

Diversion arrangement plan





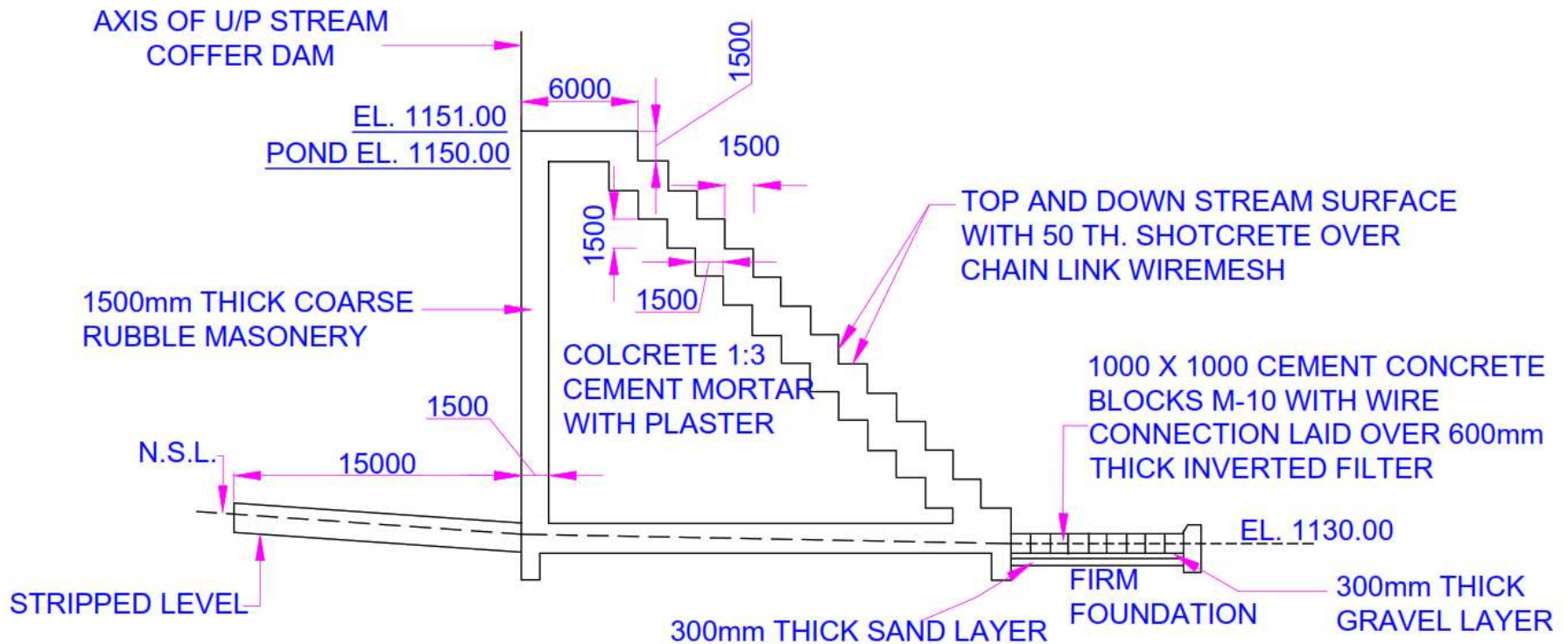
THDC India Ltd.

International Conference on HYDROPOWER AND DAMS DEVELOPMENT FOR WATER AND ENERGY SECURITY – UNDER CHANGING CLIMATE



Indian National Committee
on Large Dams

Maximum section of Upstream Cofferdam (Colcrete)



At DPR stage: 21m high Cofferdam



THDC India Ltd.

International Conference on HYDROPOWER AND DAMS DEVELOPMENT FOR WATER AND ENERGY SECURITY – UNDER CHANGING CLIMATE



Central Board of
Irrigation & Power



Indian National Committee
on Large Dams

Geology and rock mass condition

- The rocky boulders are of medium to coarse grained quartzo-feldspathic gneiss, quartzite and leucogranite. Most of the boulders/cobbles are of quartzo-feldspathicgneiss, which ranges from very small to maximum up to 12m size, whereas the boulders of quartzite and leucogranite are of small to medium size
- The overburden soil is light yellowish to light brownish colored, granular from very fine to medium grained. It is the matrix of silt, sand and fine gravels but the major part of the soil is silty





THDC India Ltd.

International Conference on HYDROPOWER AND DAMS DEVELOPMENT FOR WATER AND ENERGY SECURITY – UNDER CHANGING CLIMATE



Central Board of
Irrigation & Power



Indian National Committee
on Large Dams

Geology and rock mass condition

- The river valley at dam site is characterized by steep rocky cliffs on the left bank and gentle abutments on the right bank with alternate ridge and geomorphic depressions. Both the banks and riverbed comprises thick and wide colluvium/hill wash material with some zones of river borne material (RBM)
- The exploratory drill holes and on-going open excavation has revealed that the foundation of the coffer dam in riverbed comprises colluvium/hill wash material consisting of rocky boulders, cobbles and gravels set in overburden soil (Silty and sandy matrix).





THDC India Ltd.

International Conference on HYDROPOWER AND DAMS DEVELOPMENT FOR WATER AND ENERGY SECURITY – UNDER CHANGING CLIMATE



Indian National Committee
on Large Dams

Geology and rock mass condition

- The borehole data also revealed that, the riverbed area comprises $\approx 20 - 25\text{m}$ wide zone of river borne material (RBM) at certain depths below El 1125m, comprising of sandy layers and well-polished pebbles of gneiss, quartzite and leucogranite
- The encountered colluvium material is assorted and not well graded due to varying size and shapes of boulders, but it is observed that this material is compact, cohesive and moderately denser in majority of the places, which has been witnessed by its angle of repose acquired during excavation on either abutment.





THDC India Ltd.

International Conference on HYDROPOWER AND DAMS DEVELOPMENT FOR WATER AND ENERGY SECURITY – UNDER CHANGING CLIMATE



Central Board of
Irrigation & Power



Indian National Committee
on Large Dams

To ascertain the riverbed rock

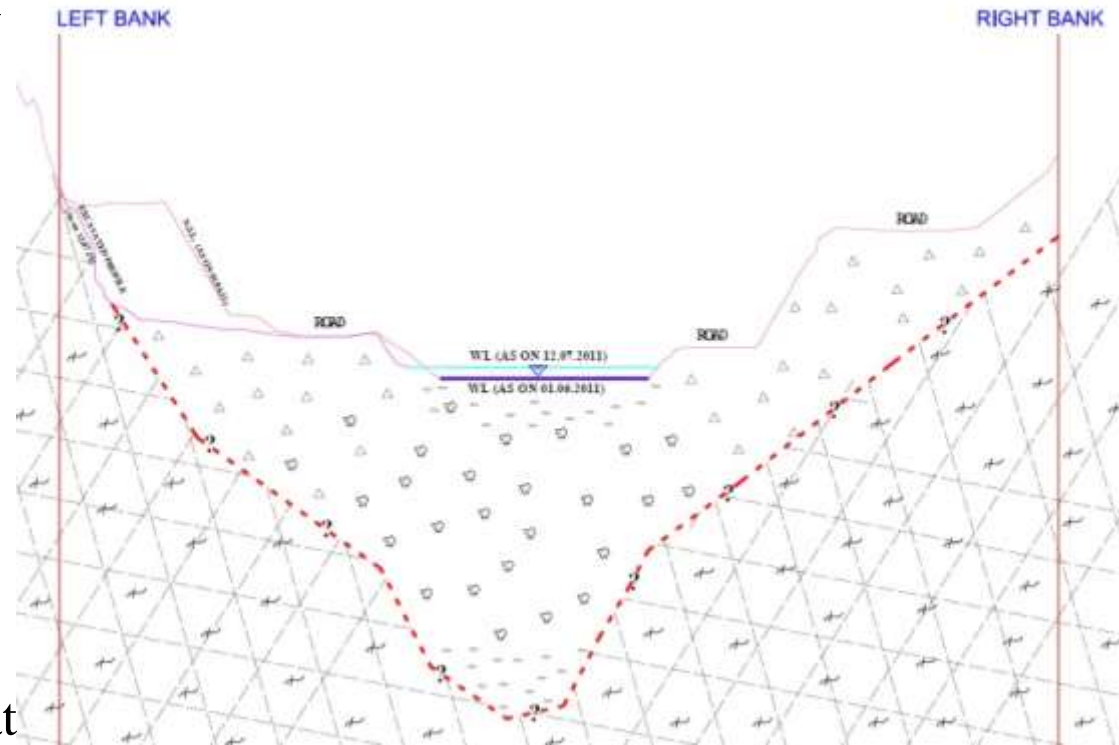
-
05 drill holes along the axis

03 vertical holes on right bank and
one inclined at 30° angle and one
vertical hole drilled at left bank

All holes terminated after 30-40 m
in fresh bedrock

Deepest bedrock encountered was at
70 m below the riverbed at
upstream coffer

PLT= 37 t/m²



**Detailed Investigation at
Tender Stage**



THDC India Ltd.

International Conference on HYDROPOWER AND DAMS DEVELOPMENT FOR WATER AND ENERGY SECURITY – UNDER CHANGING CLIMATE



Central Board of
Irrigation & Power



Indian National Committee
on Large Dams

Important findings

- River borne material had marginally low Safe bearing capacity
- Deepest rock level at approx. 70m at coffer dam and at main dam

This meant that the excavation at main dam site will take longer time and will be deep



THDC India Ltd.

International Conference on HYDROPOWER AND DAMS DEVELOPMENT FOR WATER AND ENERGY SECURITY – UNDER CHANGING CLIMATE



Central Board of
Irrigation & Power



Indian National Committee
on Large Dams

Change in Dam type after detailed investigations

- 21m Colcrete type dam was changed to **21m rock fill with combination of clay core** and jet grouting wall to stop seepage, to allow the bearing stresses withing permissible limits
- Initially Diversion Dam was designed for discharge of 1960 cumecs and was kept same.



THDC India Ltd.

International Conference on HYDROPOWER AND DAMS DEVELOPMENT FOR WATER AND ENERGY SECURITY – UNDER CHANGING CLIMATE

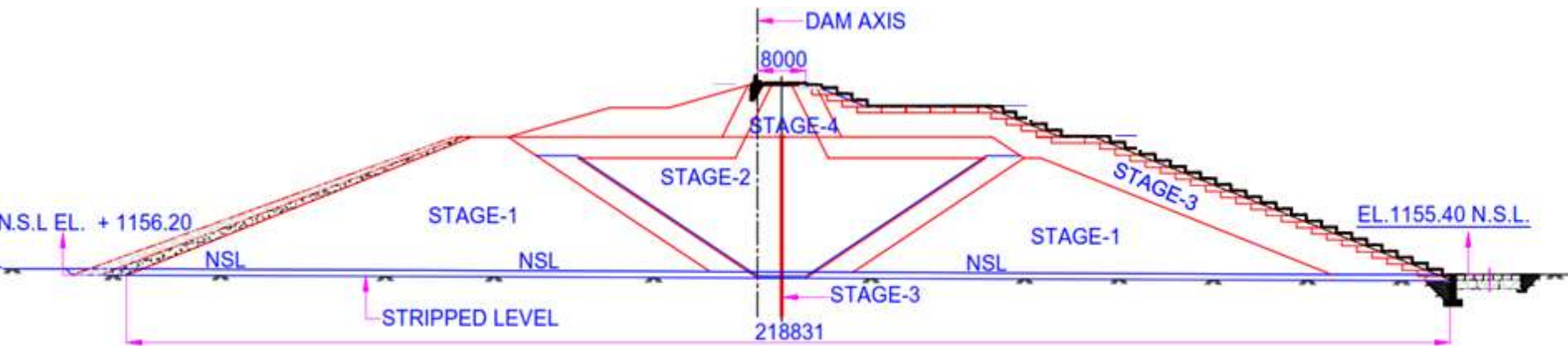


Central Board of
Irrigation & Power



Indian National Committee
on Large Dams

Maximum section of Upstream Cofferdam (rockfill) at Tender Stage





THDC India Ltd.

International Conference on HYDROPOWER AND DAMS DEVELOPMENT FOR WATER AND ENERGY SECURITY – UNDER CHANGING CLIMATE



On verge of start of Construction...

“Aila” Cyclone

- On 26 May 2009, Punatsangchhu River received maximum ever recorded discharge of 2430 cumecs due to cyclone AILA.
- This led to revision of design.
- In new design, Cofferdam top EL increased to 29m and diameter of diversion tunnels increased to 11m.



THDC India Ltd.

International Conference on HYDROPOWER AND DAMS DEVELOPMENT FOR WATER AND ENERGY SECURITY – UNDER CHANGING CLIMATE



Central Board of
Irrigation & Power



Indian National Committee
on Large Dams

Increase in height created some other challenges

- Higher safe- bearing capacity requirement of the foundation soil as otherwise settlement cracks would be developed in the structure.
- The construction of U/s coffer dam has to be completed up to safe height before start of monsoon of 2012.
- Energy dissipation of spilling water in the event of overflow would be difficult to manage.
- The stiff junction between the jet grout curtain and type of Dam to be adopted as that would crack resulting in heavy seepage.

Design Challenges



THDC India Ltd.

International Conference on HYDROPOWER AND DAMS DEVELOPMENT FOR WATER AND ENERGY SECURITY – UNDER CHANGING CLIMATE



Central Board of
Irrigation & Power

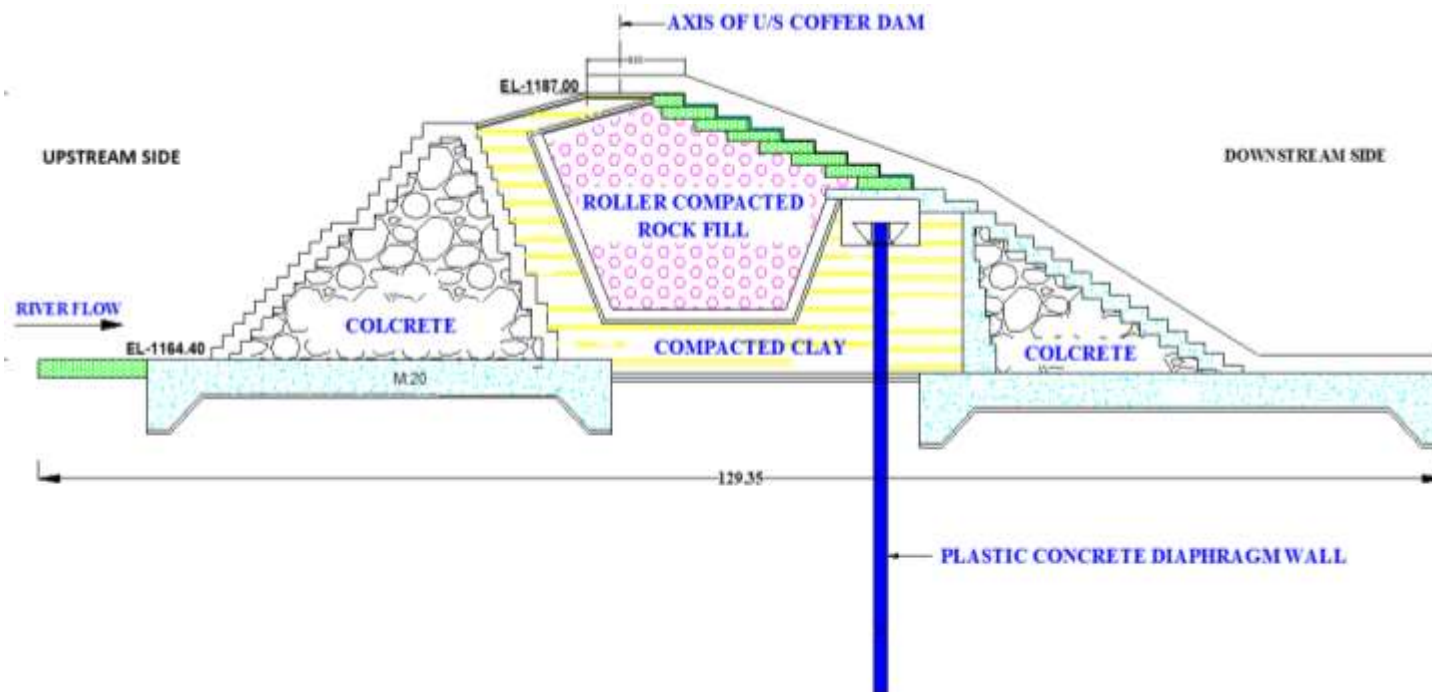


Indian National Committee
on Large Dams

Design Solutions

To achieve such height before monsoon, the coffer dam was conceptualized to be made in parts-

Two colcrete dams of each 18m height founded on raft foundation and sandwiching central portion of rockfill type with lined compacted clay.





THDC India Ltd.

International Conference on HYDROPOWER AND DAMS DEVELOPMENT FOR WATER AND ENERGY SECURITY – UNDER CHANGING CLIMATE



Central Board of
Irrigation & Power

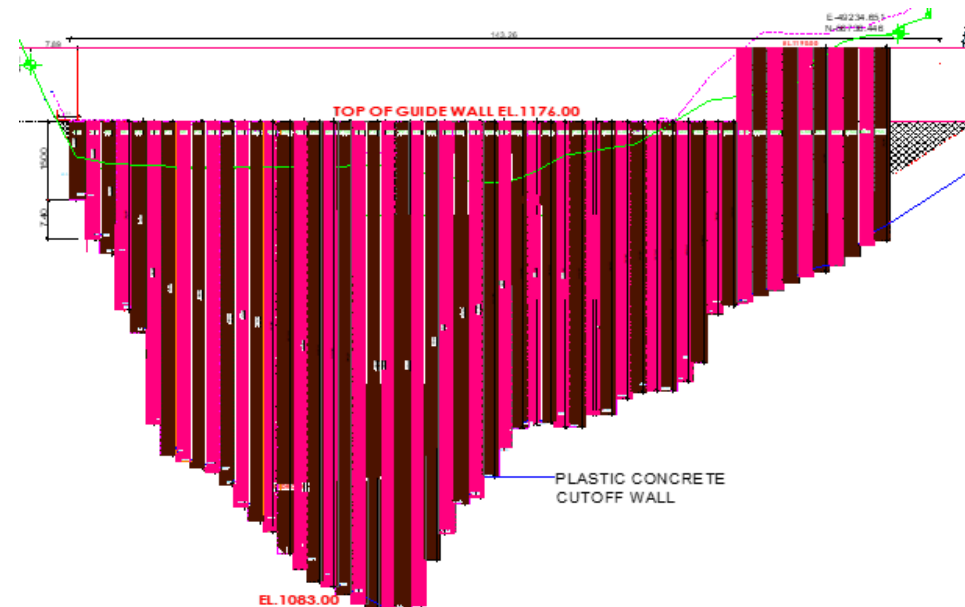


Indian National Committee
on Large Dams

Design Solutions

An 8m to 9m pedestal of larger base width was proposed so that an 18m Colcrete Dam of normal dimension can leave a sufficient wide Colcrete berm down-stream of the 18m height portion of the dam and settlement can be taken care of appropriately.

This served two purposes- first, the construction of dam could be achieved at a desirable height before the first monsoon and secondly the work was done at faster rated compacted clay.





THDC India Ltd.

International Conference on HYDROPOWER AND DAMS DEVELOPMENT FOR WATER AND ENERGY SECURITY – UNDER CHANGING CLIMATE



Central Board of
Irrigation & Power



Indian National Committee
on Large Dams

Design Solutions

- Considering the unprecedented event of Aila cyclone, designers decided to provide an energy dissipation arrangement in the downstream slope of the coffer dam by providing the steps along with a provision of 5x1x1m blocks of gabion boxes covered by 150mm thick concrete of M20 grade with expansion joints and PVC seal provision at 6.0m c/c.
- the grout curtain and the Colcrete Dam, the problem of possible cracking is eliminated as the curtain below the Cofferdam has been revised from “jet grouting” to “plastic concrete cutoff wall” to accommodate for the deformations.





THDC India Ltd.

International Conference on HYDROPOWER AND DAMS DEVELOPMENT FOR WATER AND ENERGY SECURITY – UNDER CHANGING CLIMATE



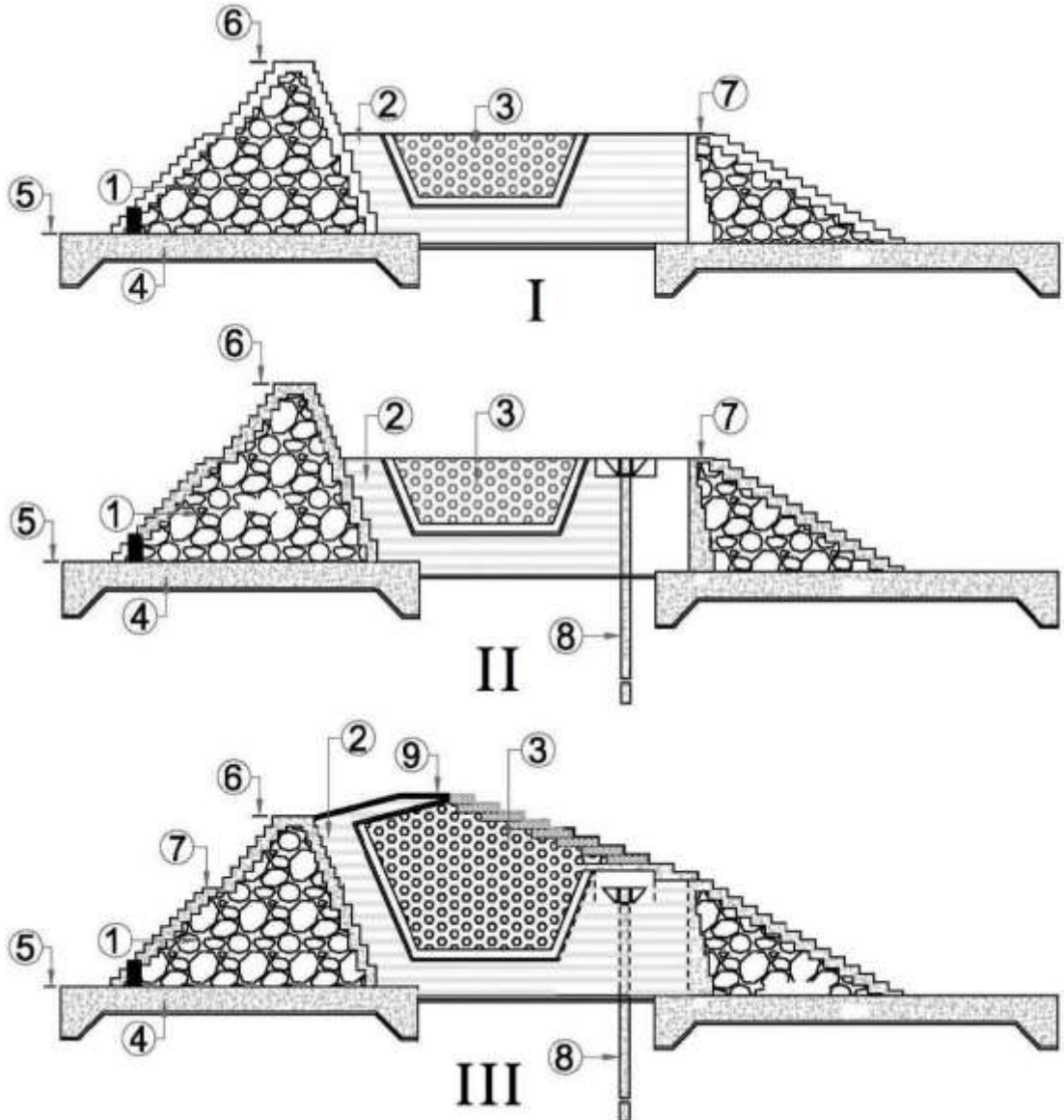
Central Board of
Irrigation & Power



Indian National Committee
on Large Dams

Sequence of Construction of Coffer Dam

1. Colcrete
2. Clay
3. Rockfill
4. Raft
5. EL. 1164.40m
6. EL. 1184.40m
7. EL. 1176.00m
8. Plastic concrete cutoff wall
9. EL. 1187.00m





THDC India Ltd.

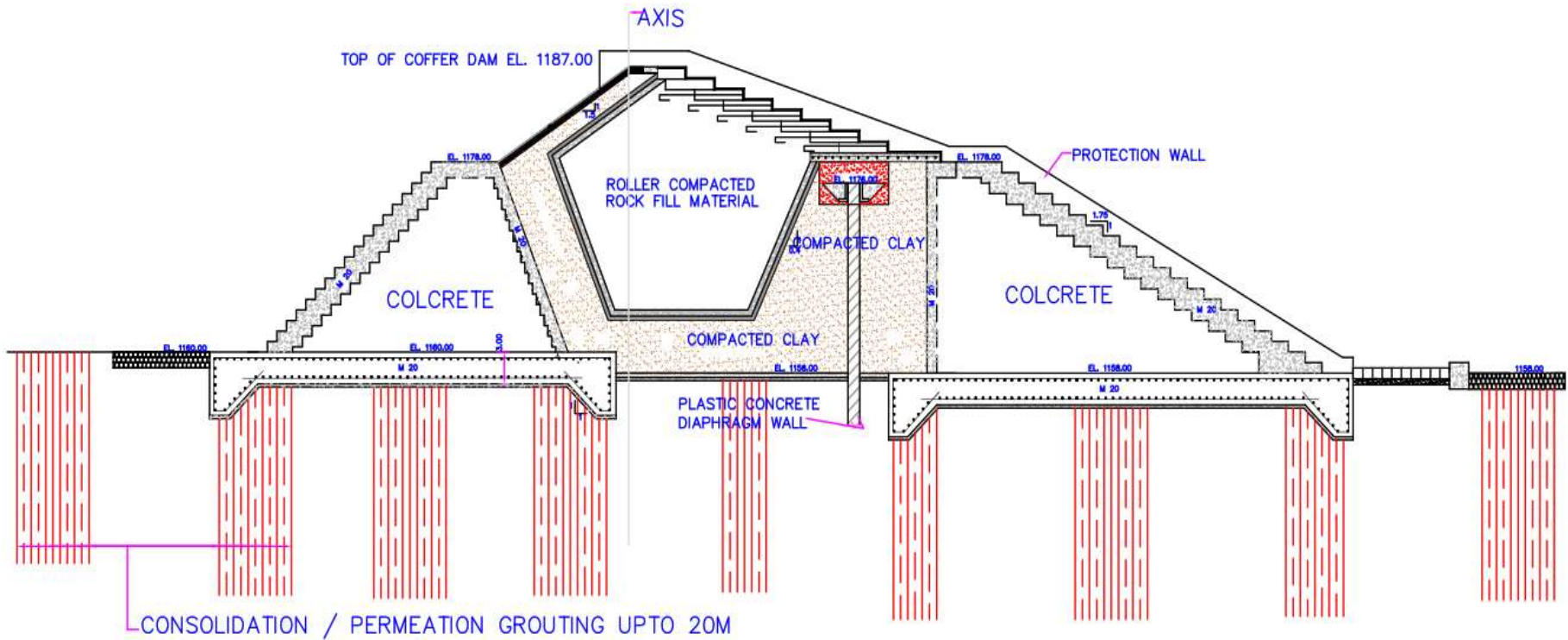
International Conference on HYDROPOWER AND DAMS DEVELOPMENT FOR WATER AND ENERGY SECURITY – UNDER CHANGING CLIMATE



Central Board of
Irrigation & Power



Indian National Committee
on Large Dams



Maximum Section of Upstream Cofferdam at centre (colcrete type) with clay and plastic cut off wall



THDC India Ltd.

International Conference on HYDROPOWER AND DAMS DEVELOPMENT FOR WATER AND ENERGY SECURITY – UNDER CHANGING CLIMATE



Central Board of
Irrigation & Power



Indian National Committee
on Large Dams



Final Features of Diversion Arrangement

Height: 29 m

Length: 124.72m

Type: Colcrete-cum-rockfill type with plastic concrete wall

Location: Across the river Punatsangchu at ± 420 m upstream of main dam axis

Purpose: To facilitate the excavation of main dam.

Diversion Tunnel: 11m Diameter, 2724m combined length



THDC India Ltd.

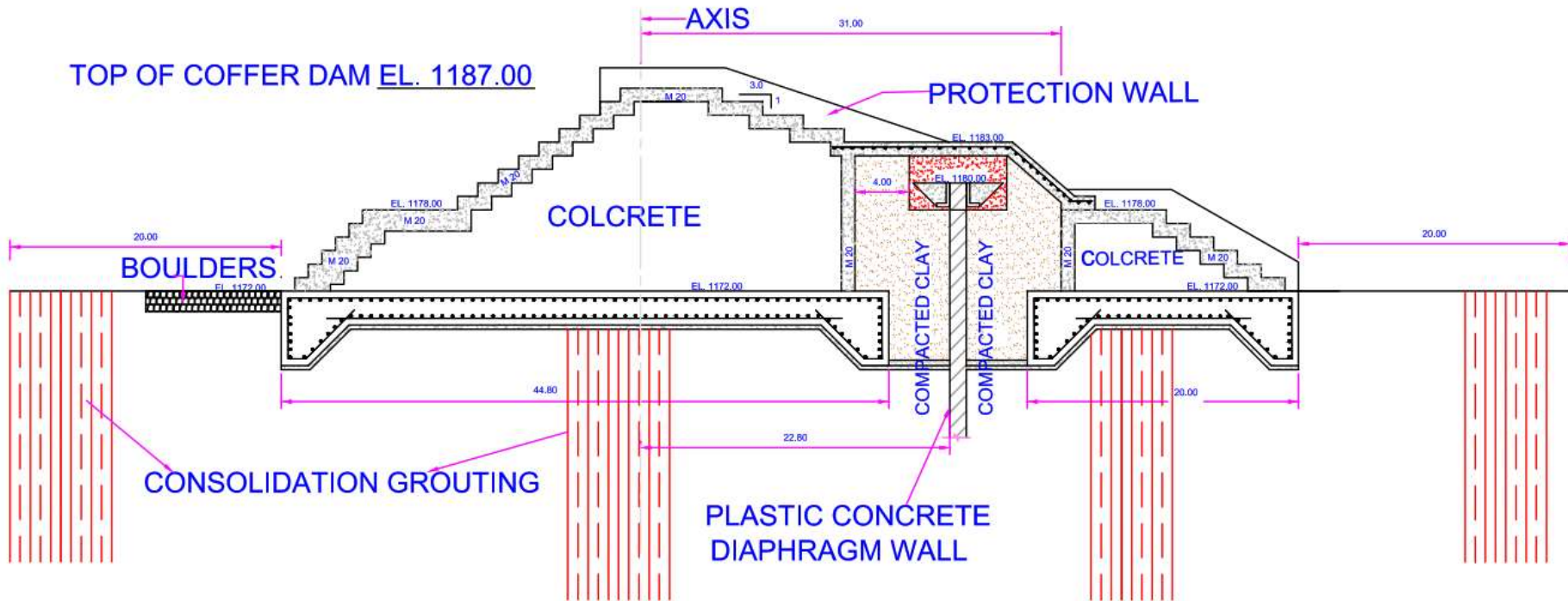
International Conference on HYDROPOWER AND DAMS DEVELOPMENT FOR WATER AND ENERGY SECURITY – UNDER CHANGING CLIMATE



Central Board of
Irrigation & Power



Indian National Committee
on Large Dams



Section of Upstream Cofferdam at abutments (colcrete type) with clay and plastic cut off wall



THDC India Ltd.

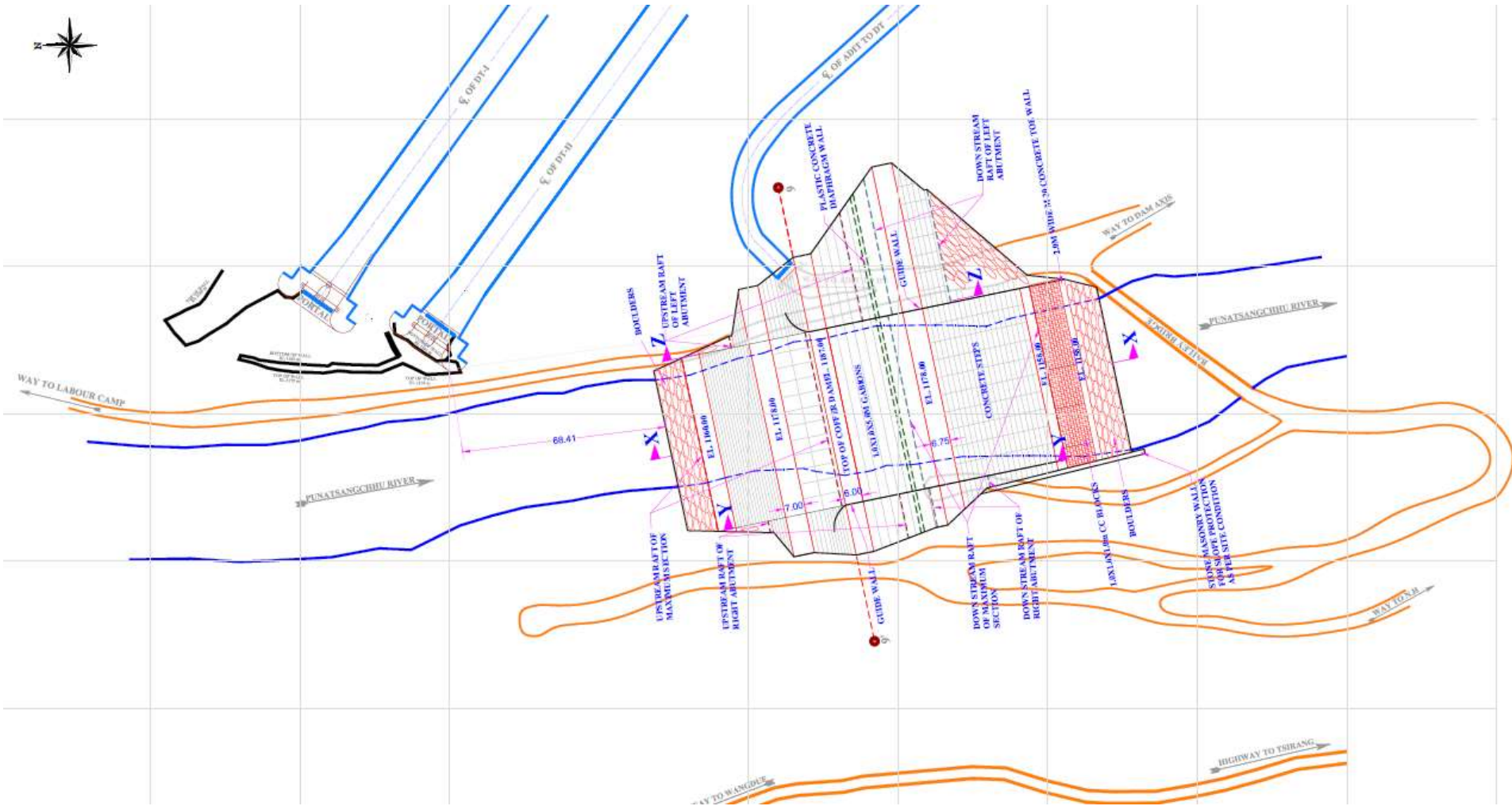
International Conference on HYDROPOWER AND DAMS DEVELOPMENT FOR WATER AND ENERGY SECURITY – UNDER CHANGING CLIMATE



New Delhi
Central Board of
Irrigation & Power



Indian National Committee
on Large Dams



Plan of Cofferdam





THDC India Ltd.

International Conference on HYDROPOWER AND DAMS DEVELOPMENT FOR WATER AND ENERGY SECURITY – UNDER CHANGING CLIMATE



Central Board of
Irrigation & Power



Indian National Committee
on Large Dams





THDC India Ltd.

International Conference on HYDROPOWER AND DAMS DEVELOPMENT FOR WATER AND ENERGY SECURITY – UNDER CHANGING CLIMATE



Central Board of
Irrigation & Power



Indian National Committee
on Large Dams

Thank you

